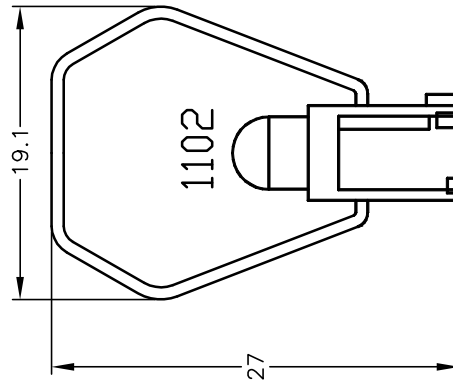


KEY USED IN DRAWING K600100 PART K0532-1102



NOTES:

1. ALL DIMENSIONS IN MM
2. GENERAL TOLERANCE: X.X=±0.4  
X.XX=±0.25

**E-SWITCH®**

A	11049	RELEASED FOR PRODUCTION	11/09/00	TS
REV.	ECN No.	DESCRIPTION	DATE	CHKD

<b>E-SWITCH®</b>				
TITLE		K0 KEY 1102		
SCALE	DATE	DR	DWG	REV
2:1	11/09/00	CJB	K900006	A

THE INFORMATION CONTAINED IN THIS DOCUMENT IS PROPRIETARY TO E-SWITCH AND IS NOT TO BE COPIED OR TRANSFERRED